



# A 12-FL

Stud Welding Gun

93-20-260  
93-20-26010



# Operating Manual



---

**After-sales service for Germany:**

**HBS Bolzenschweiss-Systeme GmbH & Co. KG**  
**Felix-Wankel-Strasse 18**  
**85221 Dachau**  
**GERMANY**

**Phone**        **+49 8131 511-0**  
**Fax**           **+49 8131 511-100**  
**E-mail**       **international@hbs-info.com**  
**Web**           **www.hbs-info.com**

**A 12-FL Operating Manual Issue 2018-06 Order No. E-BA 93-20-260**

---

Translation of the Original Operating Manual

**Please keep the manual in a safe place for future reference.**

**Transmission and duplication of this document, dissemination and notification of the contents are not permitted unless expressly approved.**

**All rights, errors and technical amendments reserved.**

**© HBS Bolzenschweiss-Systeme GmbH & Co. KG**



Dear Customer,

Many thanks for buying a stud welding machine from HBS Bolzenschweiss-Systeme.

We at HBS wish you success at all times when working with this stud welding machine.

The high level of quality of our products is guaranteed by ongoing further development in the design, equipment and accessories. This may result in differences between the present operating manual and your product. No claims can therefore be derived from the data, illustrations and descriptions.

We have compiled the data and information in this reference work with the greatest care, and have made every effort to ensure that the information contained in this manual was correct and up-to-date at the time of delivery. We can nevertheless give no guarantee for an absolutely error-free document.

Should you discover any errors or unclear points when reading this operating manual, please do not hesitate to contact us.

We would also be grateful for any feedback should you have any suggestions or complaints to make about our product.

HBS Bolzenschweiss-Systeme GmbH & Co. KG

Felix-Wankel-Strasse 18

85221 Dachau

GERMANY



# Table of Contents

<b>1</b>	<b>Important Safety Precautions .....</b>	<b>6</b>
<b>2</b>	<b>Symbols and Terms Used .....</b>	<b>9</b>
<b>3</b>	<b>Scope of Supply .....</b>	<b>12</b>
<b>4</b>	<b>Accessories .....</b>	<b>12</b>
<b>5</b>	<b>Technical Data .....</b>	<b>13</b>
<b>6</b>	<b>Intended Use .....</b>	<b>14</b>
<b>7</b>	<b>Warranty .....</b>	<b>15</b>
<b>8</b>	<b>Design and Function .....</b>	<b>16</b>
<b>9</b>	<b>Welding Process .....</b>	<b>17</b>
<b>10</b>	<b>Preparing the Stud Welding Gun .....</b>	<b>18</b>
10.1	Mounting the Chuck .....	19
10.2	Mounting the Leg assembly .....	20
10.3	Setting the Welding Parameters .....	21
	Setting the Insertion Depth (Protrusion) .....	23
<b>11</b>	<b>Welding .....</b>	<b>25</b>
<b>12</b>	<b>Troubleshooting .....</b>	<b>26</b>
<b>13</b>	<b>Maintenance and Care .....</b>	<b>28</b>
13.1	Cleaning .....	28
13.2	Inspection and Tests .....	29



14	Storage .....	30
15	Disposal .....	30
	Declaration of Incorporation of partly completed Machinery .....	31
	Service & Support .....	32
	Index .....	33

## 1 Important Safety Precautions

The target group for this manual are qualified personnel who in view of their technical training, know-how and experience and knowledge of applicable regulations are able to assess the work assigned to them and recognise potential hazards.



### **Danger from incorrect use**

- ◆ Use the stud welding machine only for the purpose described in this manual.

Otherwise you may endanger yourself or damage the stud welding machine.

You endanger yourself and others if you operate the stud welding machine incorrectly or fail to observe the safety precautions and warnings. This can lead to serious injury or extensive material damage.



### **Danger for unauthorised operating personnel**

- ◆ Work with the stud welding machine only when
  - You are appropriately trained, instructed and authorised to do so, and
  - You have read and completely understood this operating manual.
- ◆ Never work with the stud welding machine when you are under the influence of
  - Alcohol,
  - Drugs or
  - Medication.



### **Danger from unauthorised modifications**

- ◆ Never modify the stud welding machine or parts thereof without obtaining a clearance certificate from the manufacturer.

You will otherwise endanger yourself. This can lead to serious injury or extensive material damage.



## **Life-threatening danger for wearers of active implanted cardiac devices**

- ◆ Never operate the stud welding machine if you wear a heart pace-maker or implanted defibrillator.
- ◆ In this case, never remain in the vicinity of the stud welding machine during welding.
- ◆ Never operate the stud welding machine if persons with heart pace-makers or implanted defibrillators are in the vicinity.

Strong electromagnetic fields are produced in the vicinity of the stud welding machine during welding. These fields could impact the function of heart pacemakers or implanted defibrillators.



## **Danger from fumes and airborne particulates**

- ◆ Switch on the welding fume extractor at the place of work.
- ◆ Ensure that the room is well ventilated.
- ◆ Never weld in rooms with a ceiling height of less than 3 m.
- ◆ Observe furthermore your working instructions and the accident prevention regulations.

This will help to avoid health damage due to fumes and airborne particulates.



## **Danger from glowing metal spatter (fire hazard)**

Glowing hot weld spatter and liquid splashes, flashes of light and a loud bang > 90 dB (A) must be anticipated during stud welding.

- ◆ Inform colleagues working in the immediate vicinity accordingly before starting work.
- ◆ Ensure that an approved fire extinguisher is available at the workplace.



- ◆ Do not weld when wearing working clothes soiled with flammable substances such as oil, grease, petroleum, etc.
- ◆ Wear your proper protective clothing, such as:
  - Protective gloves in accordance with the relevant standard,
  - Non-flammable clothing,
  - A protective apron over your clothing,
  - Full-ear hearing protection in accordance with the relevant standard,
  - A safety helmet when welding above your head,
  - Safety shoes,
  - Safety goggles with sight glass of protection level 2 in compliance with the applicable standards and do not look directly into the light arc.
- ◆ Remove all flammable materials and liquids from the vicinity of the work area before starting welding.
- ◆ Weld at a safe distance from flammable materials or liquids. Select a safety distance large enough to ensure that no danger can arise from weld spatter.



### **Protection of the stud welding unit**

- ◆ Protect the stud welding machine against the ingress of foreign matter and liquids caused by cutting or grinding work in the vicinity of your work area.

This will help to prolong the service life of your stud welding machine.



## 2 Symbols and Terms Used

The symbols used in this operating manual have the following meanings:



### **Danger**

**Warns you of hazards** that can lead to **injury of persons** or to **considerable material damage**.



### **Caution**

**Problems** with the operating procedures **can occur** if this information is **not observed**.



**No access for people with active implanted cardiac devices**



### **Danger**

Warns you of **electrical** hazards



### **Danger**

Warns you of **electromagnetic fields** that can be generated during welding



These symbols prompt you to wear **personal protective clothing when working with the stud welding unit**.



This symbol prompts you to wear **ear protection**. **A loud bang > 90 dB (A) can occur during the welding process**.



### Tip

**Cross-reference to useful information** on the use of the stud welding machine



**Cross-references in this operating manual are marked with this symbol or *are printed in italics***



### Fire hazard

Have a suitable fire extinguisher for the working area ready before starting work.



### Work instruction



### List

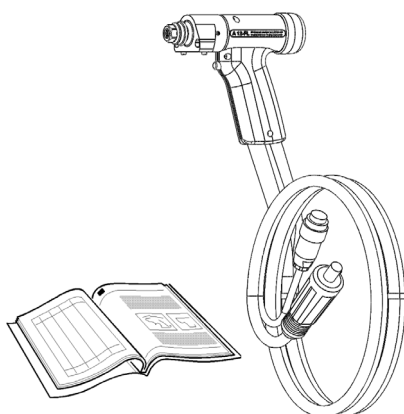
### Glossary

Automatic welding head:	Device for welding of welding elements
Capacitor:	Component for storage of electrical energy.
Light arc:	Independent gas discharge between two electrodes when the current is high enough. A whitish light is emitted in the process. The light arc allows very high temperatures to be generated.
Rectifier:	Electrical component that converts alternating voltage into direct voltage
Stud feeder:	Device for automatic feeding of welding elements
Stud welding gun:	Device for welding of welding elements
Stud welding machine:	Stud welding unit including stud welding gun
Stud welding unit:	Device for provision of the electrical energy for stud welding
Thyristor:	Electronic component for contact-free switching of high currents; switching takes place via the control input
Welding element:	Component such as stud or pin that is welded to the workpiece
Welding parameters:	Mechanical and electrical settings at the stud welding gun and at the stud welding unit (e.g. spring force, charging voltage)
Workpiece:	Components such as sheet metal or tubes to which the welding elements are to be fastened

### 3 Scope of Supply

The **basic configuration** of your stud welding gun contains the following parts:

No. of pieces	Part	Type	Order No.
1	Stud welding gun cable length 5 m	A 12-FL	93-20-260
or			
	Stud welding gun cable length 10 m	A12-FL	93-20-26010
1	Operating manual	A 12-FL	E-BA 93-20-260
optional			
1	Ceramic leg assembly		93-40-022
1	Shielding gas leg assembly		93-40-021



- ◆ Inspect the shipment for visible damage and completeness immediately on receipt.
- ◆ Report any transport damage or missing components immediately to the delivering shipping agent or the dealer (address, see page 2).

### 4 Accessories

For example:

Mounting tool set	93-40-116
Protective hose, complete with zipper, L = 430 mm	80-11-430

Additional accessories can be found in our extensive accessories catalogue.

## 5 Technical Data

### Stud welding gun type A 12-FL

for ARC stud welding according to current standards

Welding range	M3 to M12, dia. 2 to 12 mm
Stud length	10 to 400 mm (depending on tripod)
Stud material	Mild steel, stainless steel
Stud type	Any type or shape (special chucks if required)
Lift	6 mm fixed
Welding cable	93-20-260: 5 m 93-20-26010: 10 m
IP Code	IP 20 (protect against humidity)
Workplace noise level	Up to 90 dB (A) may occur during welding
Ambient temperature limits	0 °C to 40 °C
Dimension L x W x H	200 x 65 x 140 mm (without cable, with face plate)
Weight	0.8 kg (without cable)



---

### 6 Intended Use

The stud welding gun has been designed exclusively for use with standardised stud welding elements. The use of any other elements will result in the desired strength of the welded joint being diminished.

The stud welding gun must only be connected to HBS stud welding units.

- ◆ Always check with the operating manual of your stud welding unit whether this stud welding gun may be used.

Observation of the operating manual of the stud welding unit being used is also part of the intended use.

## 7 Warranty

Please refer to the latest "General Terms and Conditions" for the scope of the warranty.

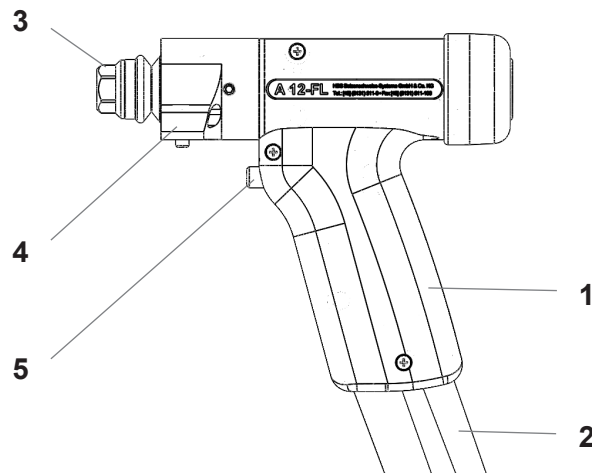
The warranty does not cover faults caused by e.g.

- Normal wear,
- Improper handling,
- Failure to observe the operating manual,
- Failure to observe the safety precautions,
- Use for other than the intended purpose, or
- Transport damage.

Warranty entitlement shall no longer be valid if modifications, changes or service and repair work is carried out by unauthorised persons or without the knowledge of the manufacturer. Invalidation of warranty entitlement shall also render the declaration of conformity invalid. The CE marking shall be declared invalid by the manufacturer.

We expressly point out that only spare parts and accessories or components approved by us may be used. The same applies likewise to installed units from our sub-suppliers.

## 8 Design and Function



The stud welding gun A 12-FL is equipped with a fixed lift of 6 mm.

The body of the stud welding gun consists of a sturdy two-part **plastic housing (1)**.

The **control cable** and the **welding cable (2)** are connected through the welding gun handle to the welding gun.

Positioned at the front of the stud welding gun are the welding piston and the **retaining nut (3)** used to fix the manual chuck.

At the front of the stud welding gun, the **leg assembly (4)** is installed. Here the leg guidance is mounted.

At the front of the welding gun handle, the **welding gun trigger (5)** is installed. It is used to trigger the welding process.

The serial number is stamped on the welding gun handle.

### Type plate

The type plate contains the following information:

- Manufacturer
- Type



## 9 Welding Process

This stud welding gun may only be used for drawn arc stud welding.

- ◆ Please refer to the original operating manual of the connected stud welding unit for the welding procedure.

### 10 Preparing the Stud Welding Gun

Prepare the stud welding gun by

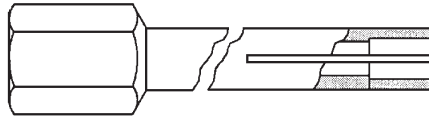
- mounting the chuck
- mounting the leg assembly
- adjusting the insertion depth (protrusion).



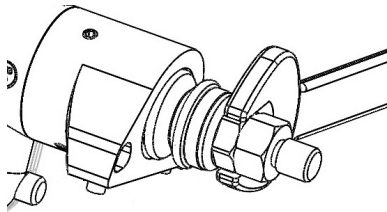
- ◆ Do not connect the stud welding gun to the stud welding unit **until it has been prepared.**

In this way you can avoid any unintentional starting of the welding process.

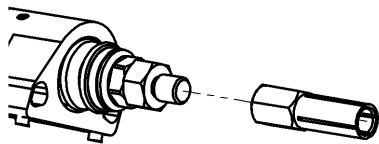
## 10.1 Mounting the Chuck



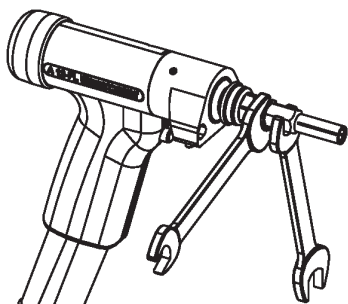
ARC chuck



- ◆ Tighten the retaining nut with the 14/17 mm double open-ended wrench.
- ◆ You thereby simultaneously tighten the chuck adaptor.



- ◆ Screw the chuck onto the adaptor.



- ◆ Secure the adaptor with a 17 mm double open-ended wrench.
- ◆ Tighten the chuck with a 14 mm double open-ended wrench.

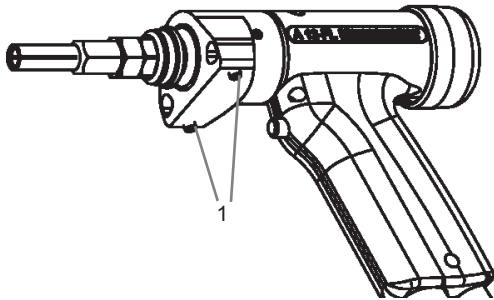


### Damage through twisting

- ◆ **Never tighten the chuck if the adaptor is not held with a second double open-ended wrench!**

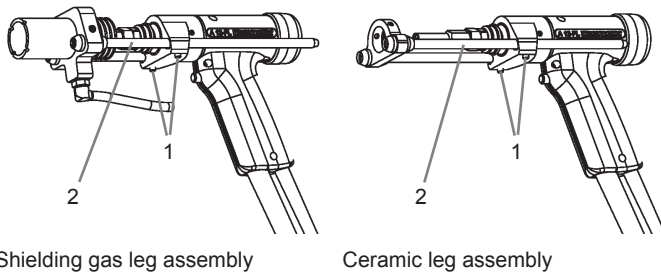
The interior units or the basic shell could otherwise twist and be damaged.

## 10.2 Mounting the Leg assembly



1 - Screws M5 x 8

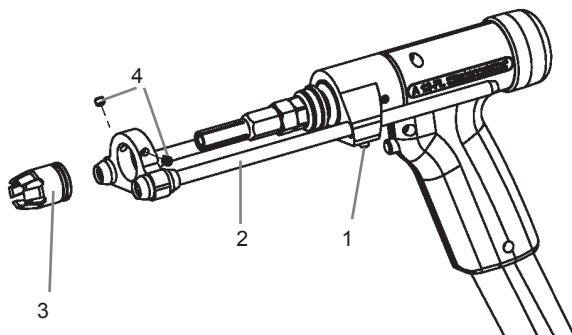
◆ Loosen the screws (1).



2 - Leg

◆ Now attach the leg assembly to the stud welding gun.

◆ Clamp the leg assembly legs (2) with the screws (1).



3 - Ceramic ferrule grip

4 - Threaded pin

**If you are working with a ceramic leg assembly, then**

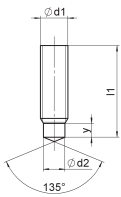
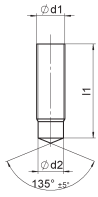
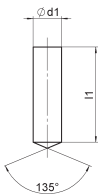
◆ attach the ceramic ferrule grip (3) to the ceramic leg assembly and clamp it to the foot piece with the threaded pins (4).

### 10.3 Setting the Welding Parameters

The insertion depth is among others, dependent on the workpiece and welding elements used and their diameters.

The specifications in the following table are guidelines.

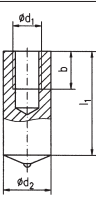
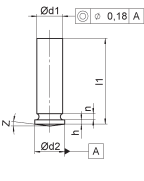
◆ Select the applicable parameters for insertion depth for your workpiece.

Welding elements Material: 4.8 (suitable for welding) / A2-50 <sup>4)</sup>	Diameter of welding elements				ARC 500, ARC 800, ARC 1550, IT 50, IT 90, IT 130, IT 1002, IT 2002, IT 3002  Stud welding gun parameter A 12-FL <sup>1)</sup>  Insertion depth	
	metric		imperial (US)			
	Stud-diameter in mm	eff. diameter in mm	Stud-diameter in inches	eff. diameter in inches		
Material of workpiece: Mild steel (suitable for welding) / alloyed steel (suitable for welding) <sup>4)</sup>						
		Ø d <sub>1</sub>	Ø d <sub>2</sub>	Ø d <sub>1</sub>	Ø d <sub>2</sub>	
	RD (MR) <sup>2)</sup>	M6	4.7	1/4"	0.187	5.0
	RD (MR) <sup>2)</sup>	M8	6.2	5/16"	0.275	5.0
	RD (MR) <sup>2)</sup>	M10	7.9	3/8"	0.312	4.5
	RD (MR) <sup>2)</sup>	M12	9.5	1/2"	0.435	4.0
		Ø d <sub>1</sub>	Ø d <sub>2</sub>	Ø d <sub>1</sub>	Ø d <sub>2</sub>	
	PD/DD (MD) <sup>2)</sup>	M6	5.35	1/4"	0.21	5.0
	PD/DD (MD) <sup>2)</sup>	M8	7.19	5/16"	0.28	5.0
	PD/DD (MD) <sup>2)</sup>	M10	9.03	3/8"	0.35	4.5
	PD/DD (MD) <sup>2)</sup>	M12	10.86	1/2"	0.43	4.0
		Ø d <sub>1</sub>		Ø d <sub>1</sub>		
	UD / Pins <sup>2)</sup>	3 (ISO)		#4 / 12 gage		5.0
	UD / Pins <sup>2)</sup>	4 (ISO)		#8		5.0
	UD / Pins <sup>2)</sup>	5 (ISO)		#10 / 3/16"		5.0
	UD / Pins <sup>2)</sup>	6		1/4"		5.0
	UD / Pins <sup>2)</sup>	8		5/16"		5.0
	UD / Pins <sup>2)</sup>	10		7/16"		4.5
	UD / Pins <sup>2)</sup>	12		1/2"		4.0

<sup>1)</sup> to be checked by test weldings

<sup>2)</sup> Information and recommendations on this can be found in **DIN EN ISO 14555**.

<sup>4)</sup> When welding on galvanized workpieces we recommend decreasing the insertion depth. (In this way the lift increases)

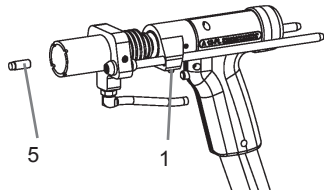
Welding elements Material: 4.8 (suitable for welding) / A2-50 <sup>4)</sup>	Diameter of welding elements				ARC 500, ARC 800, ARC 1550, IT 50, IT 90, IT 130, IT 1002, IT 2002, IT 3002  Stud welding gun parameter A 12-FL <sup>4)</sup>  Insertion depth	
	metrisch		imperial (US)			
	Stud-diameter in mm	eff. diameter in mm	Stud-diameter in inches	eff. diameter in inches		
Material of workpiece: Mild steel (suitable for welding) / alloyed steel (suitable for welding) <sup>4)</sup>						
		Ø d <sub>1</sub>	Ø d <sub>2</sub>	Ø d <sub>1</sub>	Ø d <sub>2</sub>	
	ID <sup>2)</sup>	M6	10	1/4"	0.393	5.0
	ID <sup>2)</sup>	M8	12	5/16"	0.472	5.0
	PS (US, IS) <sup>3)</sup>	M3	4	1/8"	#8	5.0
	PS (US, IS) <sup>3)</sup>	M4	5	5/32"	#10 / 3/16"	5.0
	PS (US, IS) <sup>3)</sup>	M5	6	3/16"	1/4"	5.0
	PS (US, IS) <sup>3)</sup>	M6	7	1/4"	0.21"	5.0
	PS (US, IS) <sup>3)</sup>	M8	9	5/16"	0.28"	5.0
	PS (US, IS) <sup>3)</sup>	M10	11	3/8"	0.35"	4.5

- 1) to be checked by test weldings
- 2) Information and recommendations on this can be found in **DIN EN ISO 14555**.
- 3) Information and recommendations on this can be found in **DVS 0902**.
- 4) When welding on galvanized workpieces we recommend decreasing the insertion depth. (In this way the lift increases.)

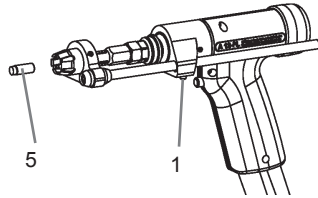


The specified values apply for welding in welding position PA.

## Setting the Insertion Depth (Protrusion)



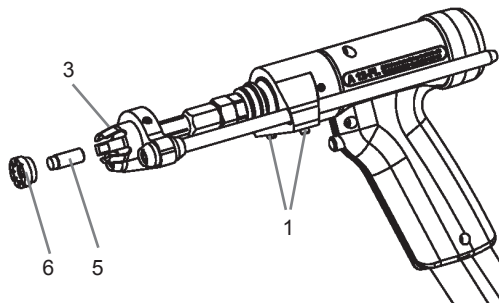
Shielding gas leg assembly



Ceramic leg assembly

- 1 - Screws M5 x 8
- 5 - Welding element

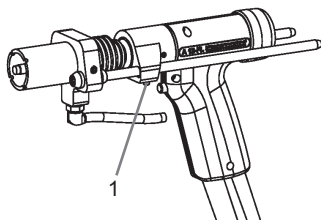
◆ Place a welding element onto the chuck.



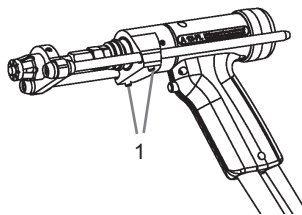
- 3 - Ceramic ferrule grip
- 6 - Ceramic ferrule

**If you are working with a ceramic leg assembly, then**

◆ place the ceramic ferrule (6) onto the ceramic ferrule grip (3).



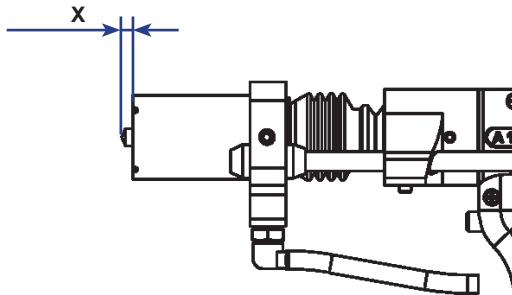
Shielding gas leg assembly



Ceramic leg assembly

- 1 - Screws M5 x 8

◆ Loosen the screws.



X - Insertion depth (Protrusion)

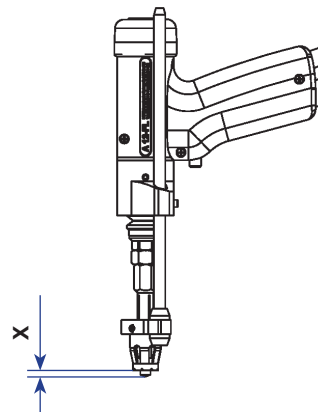
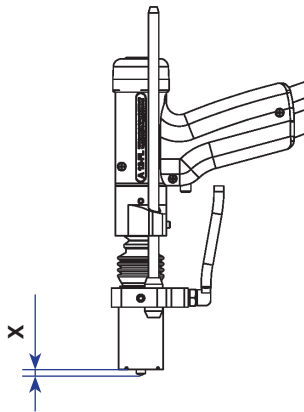
- ◆ Set the insertion depth (protrusion) (see table in 10.3).
- ◆ To do this, move the leg assembly.

Insertion depth X

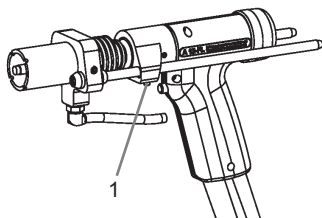
The stud welding gun has been developed with a fixed lift of 6 mm.

Welding with shielding gas

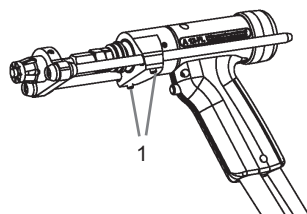
Welding with ceramic ferrule



When adjusting a protrusion (insertion depth) of 2 mm, a real lift value of 4 mm results. When adjusting protrusion (insertion depth) of 4 mm, a real lift value of 2 mm results.



Shielding gas leg assembly



Ceramic leg assembly

1 - Screws M5 x 8

- ◆ Clamp the leg assembly legs with the screws (1).



## 11 Welding



- ◆ Work according to the *original operating manual of the HBS stud welding unit.*



### **Danger if used other than for the intended purpose**

- ◆ Use the stud welding gun only for ARC stud welding and only in combination with stud welding units from manufacturer:



### **HBS Bolzenschweiss-Systeme GmbH & Co. KG**

Felix-Wankel-Strasse 18  
85221 Dachau  
GERMANY



- ◆ Always check with the operating manual of your stud welding unit whether this stud welding gun may be used.




## 12 Troubleshooting



### Danger from insufficiently qualified operating personnel

- ◆ Carry out only the work described here on your stud welding unit or stud welding gun.
- ◆ Repairs may only be carried out by appropriately qualified personnel.
- ◆ Inform your dealer or your maintenance department.

Fault	Possible cause	Fault localisation	Fault remedy	Performance
Welding elements not firmly attached	Wrong welding parameters selected Insertion speed of welding element too low	Check adjusted parameters on stud welding unit Check welding piston and linear bearing for ease of movement *)	Change adjusted parameters Clean or replace *)	Trained personnel Qualified specialists
Burning marks at the welding element	Chuck defective Lamellas of chuck are not pretensioned	Check chuck for possible defects Check lamellas of chuck  O-rings existing? Check o-rings for possible defects	Replace chuck  Try to bend lamellas if possible, otherwise replace chuck Replace o-rings	Trained personnel Trained personnel Trained personnel
Stud welding gun does not weld	Control cable defective (no trigger signal available on stud welding unit)	Check control cable for electrical flow at control cable sleeve (Pin 3 and 4) with pressed welding gun trigger *)	In case of no signal: Replace control cable *)	Qualified specialists
	Micro switch defective (with present contact signal on stud welding unit)	Check micro switch for electrical flow with pressed welding gun trigger *)	In case of no flow: Replace micro switch *)	Qualified specialists
	Welding current cable defective (no contact signal on stud welding unit)	Check, whether welding current cable is connected to stud welding unit in a technically correct way Check welding current cable for electrical flow *)	Connect welding current cable  In case of no flow : Replace welding current cable and/or connecting cable *)	Trained personnel Qualified specialists
Stud welding unit defective	Ground connection defective (no contact signal on stud welding unit)	Check, whether ground cable is connected to workpiece in a technically correct way Check ground cable for electrical flow *)	Connect ground cable  In case of no flow: Replace ground cable *)	Trained personnel Qualified specialists
	Stud welding unit defective	Follow the instructions of the connected stud welding unit	Repair required	Factory service or authorised agencies

Fault	Possible cause	Fault localisation	Fault remedy	Performance
Stud welding gun does not lift, in spite of  and 	Short circuit of magnetic circuit of the stud welding gun	Measure resistance value at control cable connector (18 Ω to 22 Ω) between Pin 1 and Pin 2 *)	Replace control cable connector, control cable and solenoid *)	Qualified specialists
	Solenoid defective	Measure solenoid (18 Ω to 22 Ω) *)	Replace solenoid *)	Qualified specialists
No  display	Magnetic circuit interrupted	Measure resistance value at control cable connector (18 Ω to 22 Ω) between Pin 1 and Pin 2 *)	Replace solenoid or control cable *)	Qualified specialists



**Work marked with \*) may only be carried out by qualified electricians!**

- ◆ Please contact our Service department if none of the measures described remedies the situation.
- ◆ Please use the form „Service & Support“ in the annex to send in the stud welding gun.

### 13 Maintenance and Care



#### **Electric shock hazard**

- ◆ Never perform maintenance and service work on your stud welding gun while it is connected to the stud welding unit
- ◆ Prior to this disconnect the stud welding gun from the stud welding unit.



#### **Danger from insufficiently qualified operating personnel**

- ◆ Carry out only the work described here on your stud welding gun.
- ◆ Repairs may only be carried out by appropriately qualified personnel.
- ◆ Inform your dealer or your maintenance department.

#### 13.1 Cleaning

- ◆ Clean the casing of your stud welding gun with a slightly damp washcloth, when necessary.



- ◆ **Do not use solvents for cleaning.**  
These may damage plastic components.

## 13.2 Inspection and Tests

- ◆ Inspect the chuck before every use.
- ◆ Replace the chuck if you discover burning marks on the welding element and/or on the chuck.
- ◆ Work here in accordance with *point 10.1 „Mounting the chuck“* in this manual.
- ◆ Before every use, inspect the bellows on the front part of the stud welding gun for proper seating and/or damage.



- ◆ **Never work with damaged or incorrectly seated bellows.**

This will contribute to a long service life of your stud welding gun.

- ◆ Inform your dealer or maintenance department if you discover any damage.
- ◆ Before every use, check that the type designations and adjustment aids on the stud welding gun are still legible.
- ◆ Clean the type plates in the event of soiling.
- ◆ Replace any type plates that are damaged or no longer legible.

## 14 Storage

- ◆ Store the stud welding gun in a safe and dust-free location when not in use.
- ◆ Protect the stud welding gun from moisture and metallic contamination.



- ◆ Store the stud welding gun only under the following ambient conditions.

**Storage temperature:**

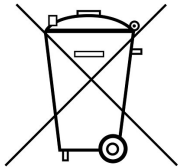
-5 °C to +50 °C (23 °F to 122 °F)

**Relative humidity:**

0 % - 50 % at +40 °C (104 °F)

0 % - 90 % at +20 °C (68 °F)

## 15 Disposal



- ◆ Dispose of the stud welding gun only via the manufacturer or a specialist disposal company.
- ◆ Never dispose of the stud welding gun in the domestic refuse.



## Declaration of Incorporation of partly completed Machinery

to Directive 2006/42/EC, Annex II 1 B  
(Original Declaration of Incorporation)

### Herewith the manufacturer

HBS Bolzenschweiss-Systeme GmbH & Co. KG  
Felix-Wankel-Strasse 18  
P.O. Box 13 46  
85221 Dachau  
GERMANY  
Phone +49 8131 511-0  
Fax +49 8131 511-100

### declares for the following product

Machine information: Stud welding gun  
Type: A 12-FL  
Order No: 93-20-260 or 93-20-26010  
Serial No: 93-20-260/182XXXX or 93-20-26010/182XXXX  
Year of manufacture: 2018

**that the following essential requirements of the above mentioned Directive – including changes to the Directive to be applied at the moment of this declaration – were applied and fulfilled:**

Annex I, Article 1, 1.1.2, 1.1.3, 1.1.5, 1.1.6, 1.1.7, 1.2.1, 1.2.2, 1.2.3, 1.2.4.1, 1.2.6, 1.3.1, 1.3.2, 1.3.3, 1.3.4, 1.3.7, 1.3.8, 1.3.9, 1.4.1, 1.4.2.1, 1.5.1, 1.5.2, 1.5.4, 1.5.5, 1.5.6, 1.5.8, 1.5.10, 1.5.11, 1.5.15, 1.5.16, 1.6.1, 1.6.2, 1.6.3, 1.6.4, 1.7.1.1, 1.7.2, 1.7.3, 1.7.4,

**that special technical documentation was compiled in accordance with Part B of Annex VII of the above mentioned regulation and will be transmitted, in response to a reasoned request by the national authorities as follows:**

The above mentioned documents will be transmitted by e-mail as a data file in German language.

**that this partly completed machinery must not be put into service until the final machinery into which it is to be incorporated has been declared in conformity with the provisions of the Directive, where appropriate.**

**that this incomplete machine complies with corresponding regulations of the following additional EU Directives, including any changes to be applied at the moment of this declaration:**

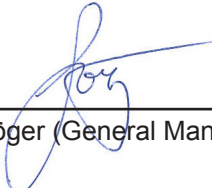
„Electromagnetic compatibility“ 2014/30/EU

Protection targets of the low voltage regulation were kept to appendix I, no. 1.5.1 of the machine regulation.

**Persons who are based in the European community and who are authorised to compile the technical documentation:**

Name: Heike Otto Address: see manufacturer

Dachau, 02.01.2018  
Place of issue, Date

  
\_\_\_\_\_  
Gregor Gröger (General Manager HBS)



## Service & Support

With the return please attach a copy of the filled out form together with the repair number given by HBS! Repairs without repair number will not be processed.

**Repair number**  
(given by HBS)

\_\_\_\_\_

Company: \_\_\_\_\_  
 Name / Surname: \_\_\_\_\_  
 Street: \_\_\_\_\_  
 City, State and ZIP/Postcode: \_\_\_\_\_  
 Country: \_\_\_\_\_  
 Phone & Fax: \_\_\_\_\_  
 E-mail address: \_\_\_\_\_

Stud welding unit / stud welding gun  
 type of model: \_\_\_\_\_  
 Serial number: \_\_\_\_\_  
 Date of purchase: \_\_\_\_\_  
 Purchased at distributor: \_\_\_\_\_

**Detailed descriptions of errors:** \_\_\_\_\_  
 \_\_\_\_\_  
 \_\_\_\_\_

Service & Support may be done up to the value of EUR \_\_\_\_\_ without quotation:  Yes  No

Could you find any damage / burn marks on the cables:  Yes  No

on chucks:  Yes  No

Are all plug and screw connections tightly fastened \*:  Yes  No

Are there any burn marks on plug or screw connections:  Yes  No

Is there any other visual damage (e.g. cracks, dents):  Yes  No

Have you checked the fuses:  Yes  No

Default on the display of the stud welding unit:

ARC / IT					CD / CDM / SC						

Which LED's are illuminated (please mark with a cross)?

Please e-mail or fax this form to [service@hbs-info.de](mailto:service@hbs-info.de) or fax: +49 8131 511-100.  
 In case a repair is necessary a repair number will be given!

\* See also operating manual chapter „Connection“  
 \*\* Doesn't light when using a contact welding gun



## Index

### A

accessories . . . . .	12
airborne particulates . . . . .	7
automatic welding head . . . . .	11

### B

bang. . . . .	7
basic configuration. . . . .	12

### C

capacitor . . . . .	11
chuck, mounting . . . . .	19
cleaning . . . . .	28
clothing, non-flammable . . . . .	8
control cable . . . . .	16

### D

danger from incorrect use . . . . .	6
Declaration of Incorporation . . . . .	31
disposal . . . . .	30

### E

ear protection. . . . .	9
electrical hazards. . . . .	9
electromagnetic fields . . . . .	9

### F

fire extinguisher . . . . .	7
fire hazard . . . . .	7
form „Service & Support“ . . . . .	27, 32
full-ear hearing protection . . . . .	8
fumes, harmful to health . . . . .	7

### G

glossary . . . . .	11
goggles with visor . . . . .	8

### H

hazards for the machine . . . . .	9
hazards for the operator . . . . .	9
heart pacemaker . . . . .	7, 9
helmet . . . . .	8

### I

insertion depth . . . . .	21
intended use . . . . .	14, 25

### L

leg assembly . . . . .	16
------------------------	----

light arc . . . . .	11
---------------------	----

### M

maintenance and care. . . . .	28
-------------------------------	----

### O

operating manual. . . . .	12
---------------------------	----

### P

protective apron. . . . .	8
protective equipment. . . . .	8
protective equipment, personal . . . . .	9
protective gloves . . . . .	8

### R

rectifier. . . . .	11
retaining nut. . . . .	16

### S

safety goggles . . . . .	9
safety goggles with sight glass . . . . .	8
safety precautions . . . . .	6
scope of supply . . . . .	12
serial number. . . . .	16
setting the insertion depth . . . . .	23
storage. . . . .	30
storage temperature . . . . .	30
stud feeder. . . . .	11
stud welding gun . . . . .	11
stud welding machine . . . . .	11
stud welding unit . . . . .	11
symbols used. . . . .	9

### T

troubleshooting . . . . .	26
type plate . . . . .	16

### W

warranty entitlement . . . . .	15
welding cable. . . . .	16
welding element. . . . .	11, 14
welding gun, design. . . . .	16
welding gun trigger . . . . .	16
welding parameters. . . . .	11, 21
workpiece . . . . .	11





HBS Bolzenschweiss-Systeme GmbH & Co. KG  
Felix-Wankel-Strasse 18 • 85221 DACHAU • GERMANY  
Phone +49 8131 511-0 • Fax +49 8131 511-100 • E-mail [international@hbs-info.com](mailto:international@hbs-info.com)

**[www.hbs-info.com](http://www.hbs-info.com)**